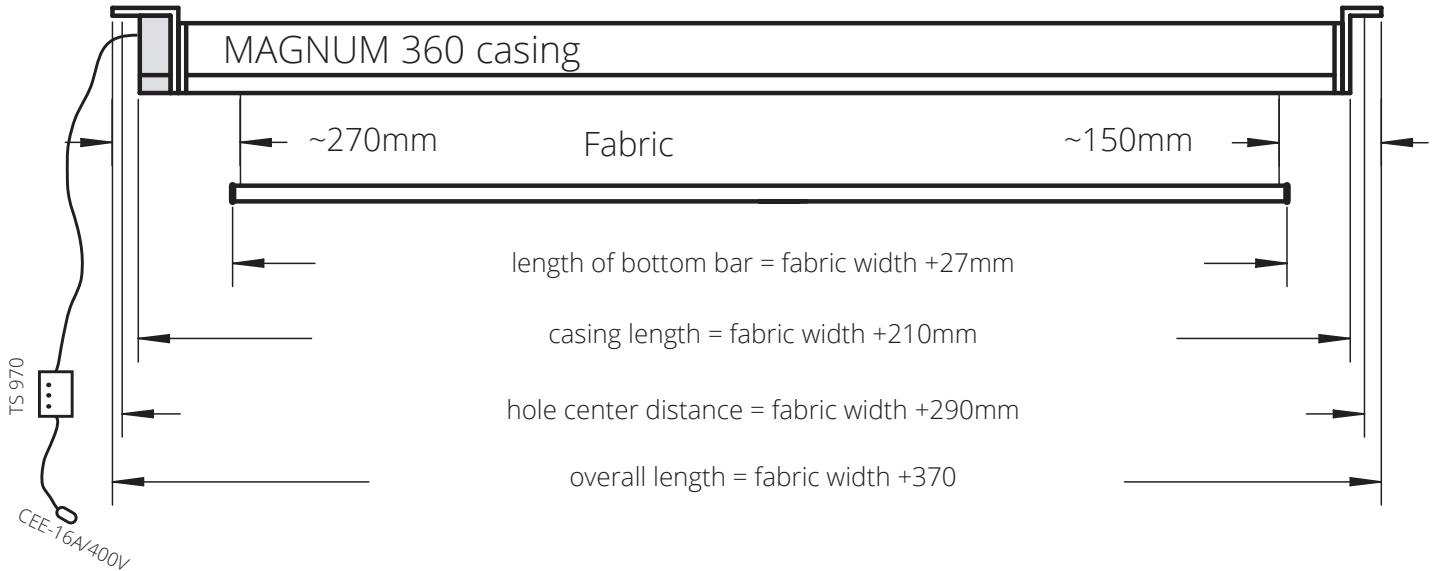


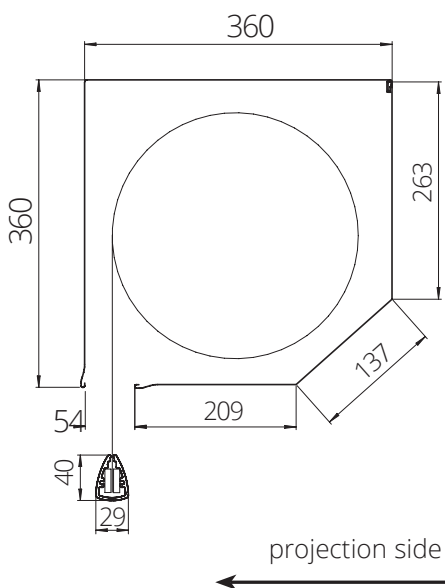
Dimensions of the Projection Screen



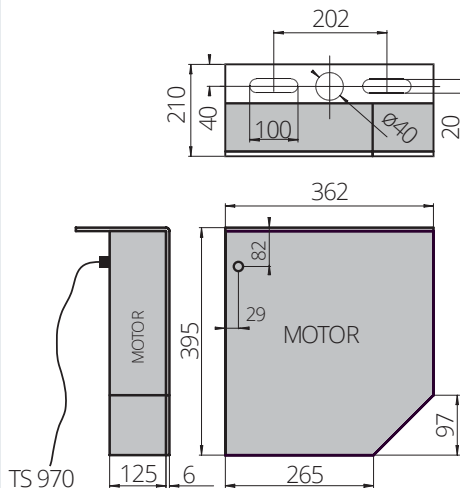
motor cable 400V/16A incl. control panel TS 970 and CEE connector, cable length 9m

overall length: +/- 7mm

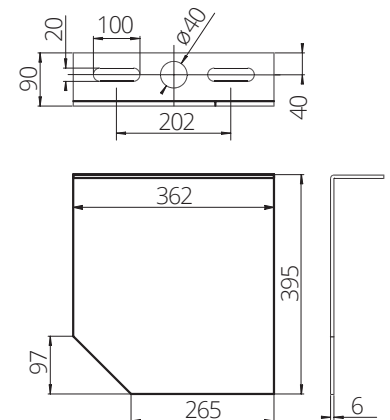
Cross Section MAGNUM-Casing



Mounting Bracket left



Mounting Bracket right



THE BRACKETS OF THE PROJECTION SCREEN MUST BE MOUNTED FORCE-FIT AND POSITIVE-FIT TO THE CEILING CONSTRUCTION ! DO NOT PUT ADDITIONAL MECHANICAL LOAD ON THE CASING ! THE MOUNTING MUST ENSURE THAT NO DISTORTION CAN ARISE !